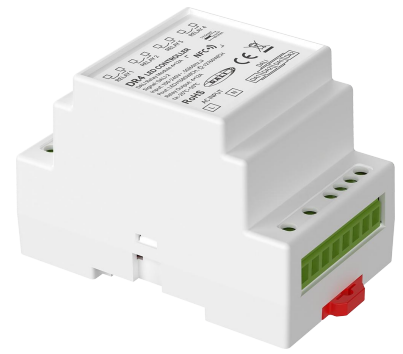


LED Controller DR4

DALI-2

- DALI Relay Module with Zero-Cross Detection, DALI relay module with zero-cross detection, effectively suppressing the instantaneous surge current when the relay pulls in.
- Compliant with DALI-2 standard, in accordance with IEC62386-101, IEC62386-102 and IEC62386-208 standard protocols.
- Capable of independently controlling four relays or contactors, compatible with mainstream DALI standard protocols and master control devices on the market, enabling non-dimmable luminaires to access the DALI lighting system.
- DALI addresses can be set independently, and grouping and scene control can be realized via DALI master controller. Supports setting of DALI first address, power-on status, system failure status and DALI scenes via the NFC Lighting APP.
- Single channel supports a maximum current of 12A, with a built-in independent fuse for each channel to ensure safe operation of the device.
- Wide voltage power supply: 100-240V~.
- DIN rail mounting, compatible with standard 35mm DIN rail.

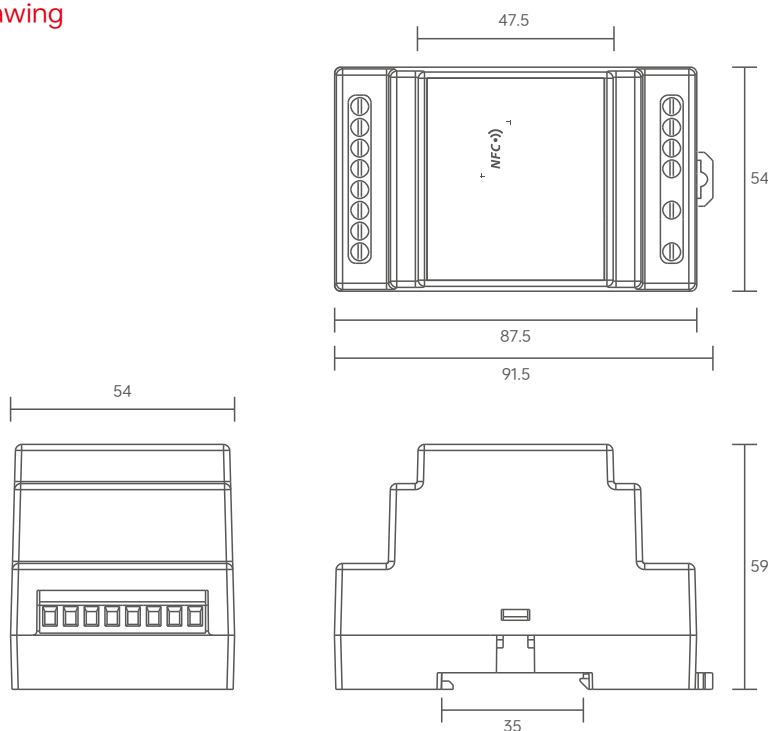


Technical Specs

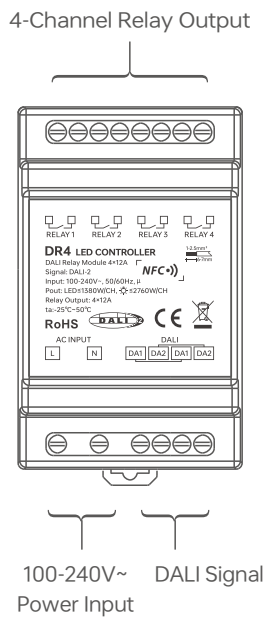
Model	DR4
Input Signal	DALI-2
Input Voltage	100-240V~, 50/60Hz, μ
Number of channels	4
Maximum Load Current of Relay	12A/CH
Maximum Relay Load Parameters	Resistive load: 2760W@230V~/CH, 1320W@110V~/CH Capacitive load: 1380W@230V~/CH, 660W@110V~/CH
Maximum Switching Voltage	250V~
Inrush Current in Loads	70A@10ms
Protection	Zero-crossing & Over-current Protection
Working Temperature	-25°C ~ 50°C
Product Dimensions	L91.5×W54×H59(mm)
Package Dimensions	L94×W55×H60(mm)
Net Weight	46g

Dimension Drawing

Unit: mm

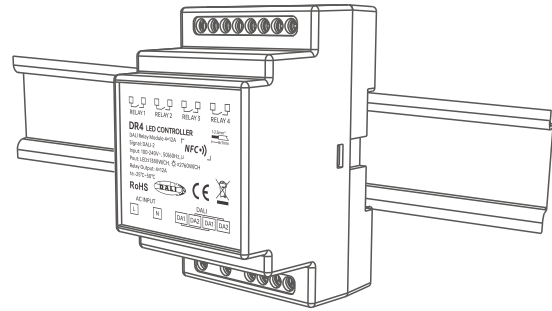


Terminal Description

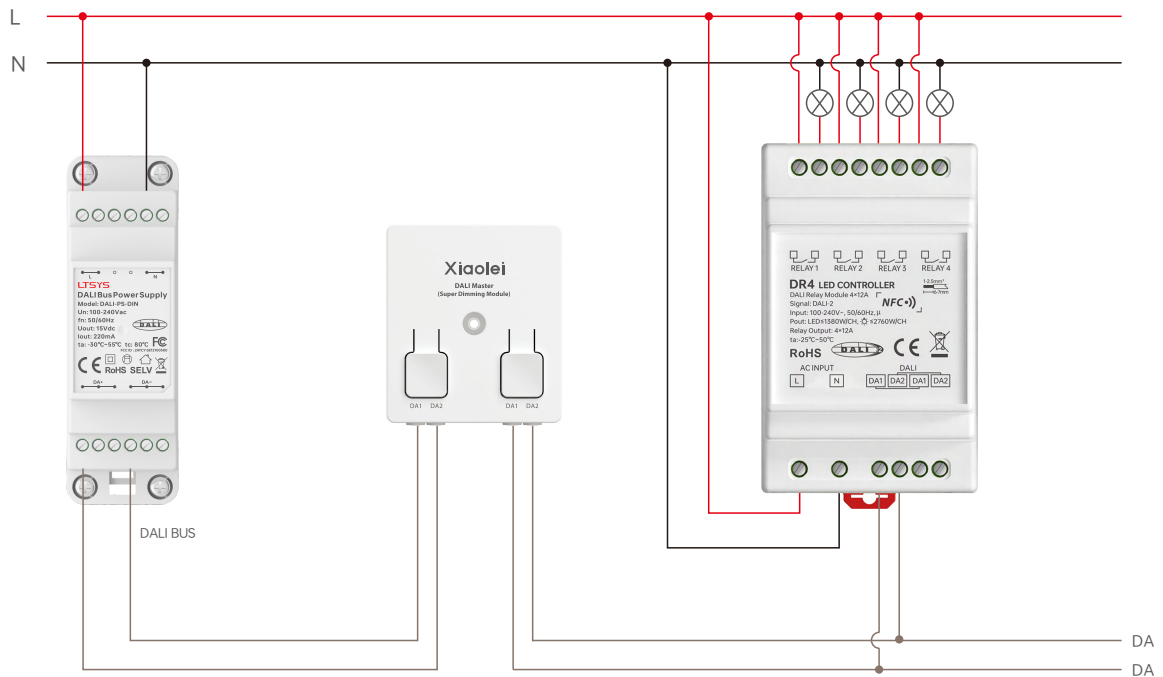


Installation Method

Rail mounting (rail specifications: TS-35/7.5 or TS-35/15)



Connection Diagram



Use the NFC Lighting APP

Scan the QR code below with your mobile phone and follow the prompts to complete the APP installation (According to performance requirements, you need to use a NFC-capable Android phone, or an iPhone 8 and later that are compatible with iOS 13 or higher).



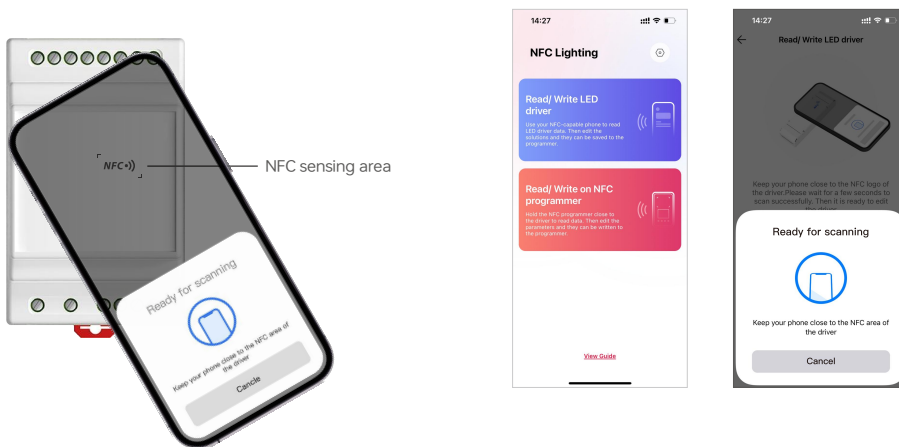
* Before you begin setting the parameters of the driver, please make sure the driver is powered off .

Read/Write the LED driver

Use your NFC-capable phone to read LED driver data, then edit the parameters and they can be directly written to the driver.

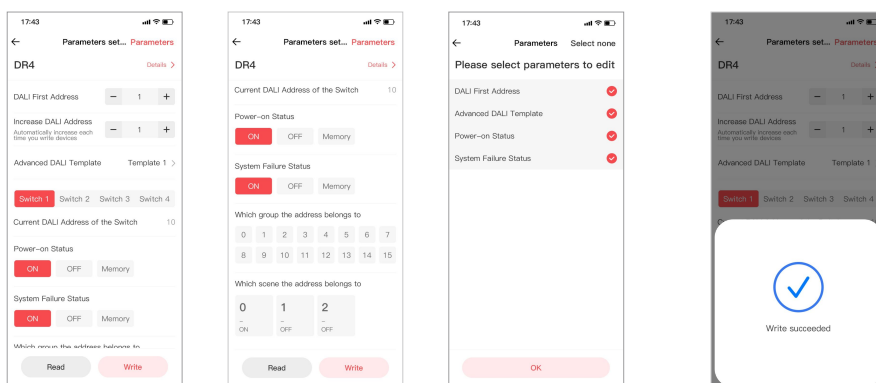
1. Read the LED driver

On the APP home page, click [Read/Write LED driver] , then keep the phone's sensing area close to the NFC sensing area of the driver to read the driver parameters.



2. Edit the parameters

Tap [Parameter Management] to edit and set more advanced parameters such as DALI First Address, DALI Advanced Template, Power-on Status, System Failure Status, etc.



3. Write to the driver

After completing the parameter settings, click [Write] in the upper right corner, and keep the phone's sensing area close to the NFC sensing area of the driver, so the parameters can be written to the driver.

Attentions

- Product installation and commissioning should be done by a qualified professional.
 - LTECH products are and not lightningproof non-waterproof (special models excepted). Please avoid the sun and rain. When installed outdoors, please ensure they are mounted in a water proof enclosure or in an area equipped with lightning protection devices.
 - Good heat dissipation will prolong the working life of products. Please ensure good ventilation.
 - During installation, keep away from large metal objects and avoid stacking multiple units to prevent signal interference that may affect normal operation.
 - Avoid installing in thunderstorm-prone areas, strong magnetic fields, and high-voltage areas.
 - Please check if the working voltage used complies with the parameter requirements of products.
 - The diameter of wire used must be able to load the light fixtures you connect and ensure the firm wiring.
 - Before you power on products, please make sure all the wiring is correct in case of incorrect connection that causes damage to light fixtures.
 - If a fault occurs, please do not attempt to fix products by yourself. If you have any question, please contact your suppliers.
- * This manual is subject to changes without further notice. Product functions depend on the goods. Please feel free to contact our official distributors if you have any question.

Warranty Agreement

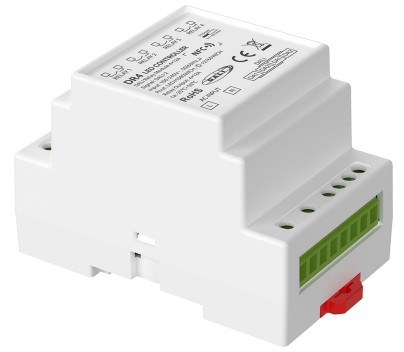
- Warranty periods from the date of delivery: 5 years.
- Free repair or replacement services for quality problems are provided within warranty periods.

Warranty exclusions below:

- Beyond warranty periods.
- Any artificial damage caused by high voltage, overload, or improper operations.
- Products with severe physical damage.
- Damage caused by natural disasters and force majeure.
- Warranty labels and barcodes have been damaged.
- No any contract signed by our company.

1. Repair or replacement provided is the only remedy for customers. Our company is not liable for any incidental or consequential damage unless it is within the law.
2. Our company has the right to amend or adjust the terms of this warranty, and release in written form shall prevail.

- 带过零检测的DALI继电器模块，有效抑制继电器吸合瞬时浪涌电流；
- 符合DALI-2标准，遵循IEC62386-101、IEC62386-102、IEC62386-208标准协议；
- 可独立控制四个继电器或接触器，适配市场上主流的DALI标准协议和主控设备，实现非调光灯具接入DALI照明系统；
- 可独立设置DALI地址，可通过DALI主控分组及场景控制；支持通过NFC Lighting APP设置DALI首地址、通电状态、系统失效状态和DALI场景；
- 单通道最大支持12A电流，每通道内置独立保险丝，确保设备安全运行；
- 100-240V~宽电压供电；
- DIN导轨安装，兼容标准35mm DIN导轨；

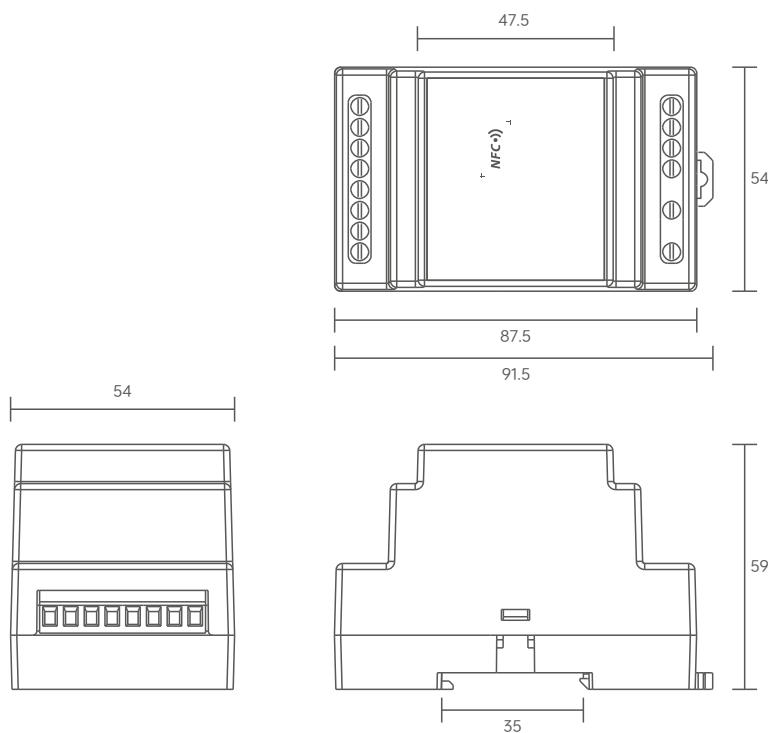


技术参数

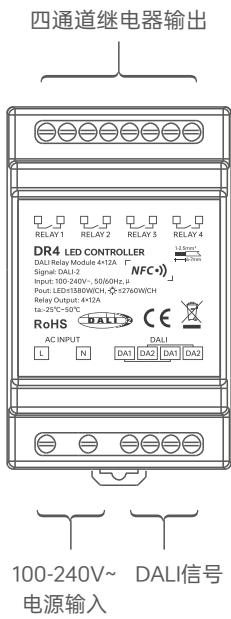
型号	DR4
输入信号	DALI-2
输入电压	100-240V~,50/60Hz, μ
通道数量	4
继电器最大负载电流	12A/CH
继电器最大负载参数	阻性负载: 2760W@230V~/CH, 1320W@110V~/CH 容性负载: 1380W@230V~/CH, 660W@110V~/CH
最大开关电压	250V~
继电器抗浪涌电流	70A@10ms
保护	过零、过流保护
工作温度	-25°C ~ 50°C
产品尺寸	L91.5×W54×H59(mm)
包装尺寸	L94×W55×H60(mm)
重量(净重)	46克

尺寸图

单位: mm

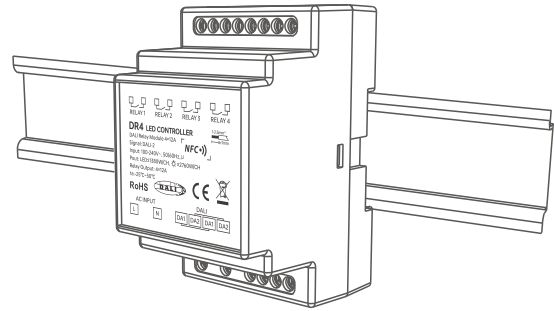


端子说明

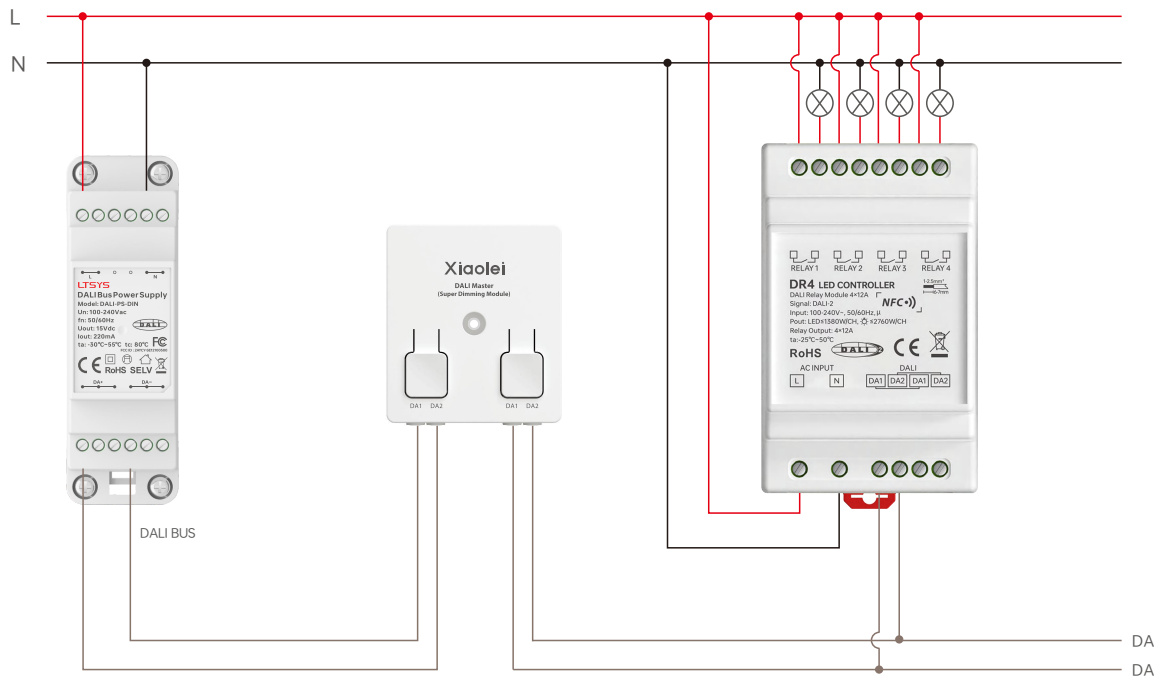


安装方式

导轨安装 (轨道规格为TS-35/7.5或TS-35/15)



连接示意图



搭配 NFC Lighting APP 使用

通过手机扫描下方二维码，按提示完成APP安装。

(因性能需求，要求手机型号苹果：iPhone 8及以上、且操作系统iOS13及以上； 安卓：具备NFC功能机型)



* 设置驱动器参数时，必须在控制器断电情况下进行操作。

读/写智能电源

使用手机，通过NFC读取驱动器信息，根据需求设置参数后，可直接写入驱动器。

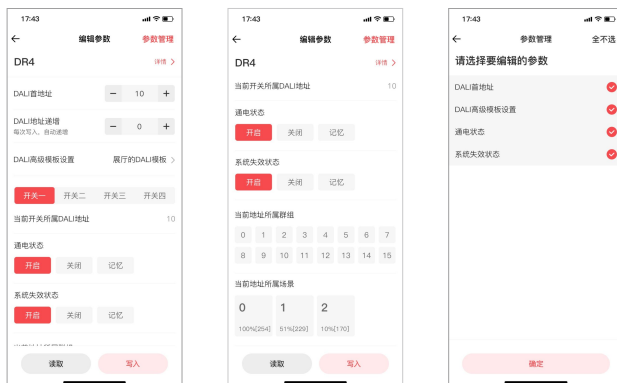
1. 读取驱动器

在APP“首页”点击【读/写智能电源】，将手机感应区域靠近控制器NFC感应区，读取控制器参数。



2. 编辑参数

点击【参数管理】可编辑设置DALI首地址、DALI高级模板、通电状态、系统失效状态等更多高级参数。



3. 写入控制器

参数设置完成后，点击【写入】，将手机感应区域靠近控制器NFC感应区，即可写入控制器成功修改参数。



注意事项

- 请由具有专业资格的人员进行调试安装。
- 本产品（专有型号除外）不能防水防雷，需避免日晒雨淋，如安装在户外，请用防水箱和防雷装置。
- 良好的散热条件会延长产品的使用寿命，请把产品安装在通风良好的环境。
- 安装时，避免靠近大面积金属物体，或堆叠摆放，以免信号干扰影响使用；
- 避免安装在雷区、强磁场和高压区域；
- 请检查使用的工作电压是否符合产品的参数要求。
- 使用的电线直径大小必须能够负载连接的LED灯具，并确保接线牢固。
- 通电调试前，应确保所有接线正确，以避免因接线错误而导致灯具损坏。
- 如果发生故障，请勿私自维修；如有疑问，请联系供应商。

* 本说明书的内容如有变更，恕不另行通知。若内容与您使用的功能有所不同，则以实物为准。如有疑问，请与供应商联系。

保修条例

- 自出厂之日起保修服务期为5年。
- 在保修服务期内出现产品质量问题我司将给予免费修理或更换服务。

非保修条例：

属下列情况不在免费保修或更换服务范围之内：

- 已经超出保修服务期；
- 过高电压、超负载、操作不当等人为造成的损坏；
- 产品外形严重损坏或变形；
- 自然灾害以及人力不可抗拒原因造成的损坏；
- 产品保修标签和产品唯一条形码损坏；
- 无我司签订的合同或发票凭证。

1. 修理或更换是我司对客户的一补救措施。我司不承担任何附带引起的损害赔偿，除非在适用法律范围之内。

2. 我司享有修正或调整本保修条款的权利，并以书面形式发布为准。